

4

3

2

1

B

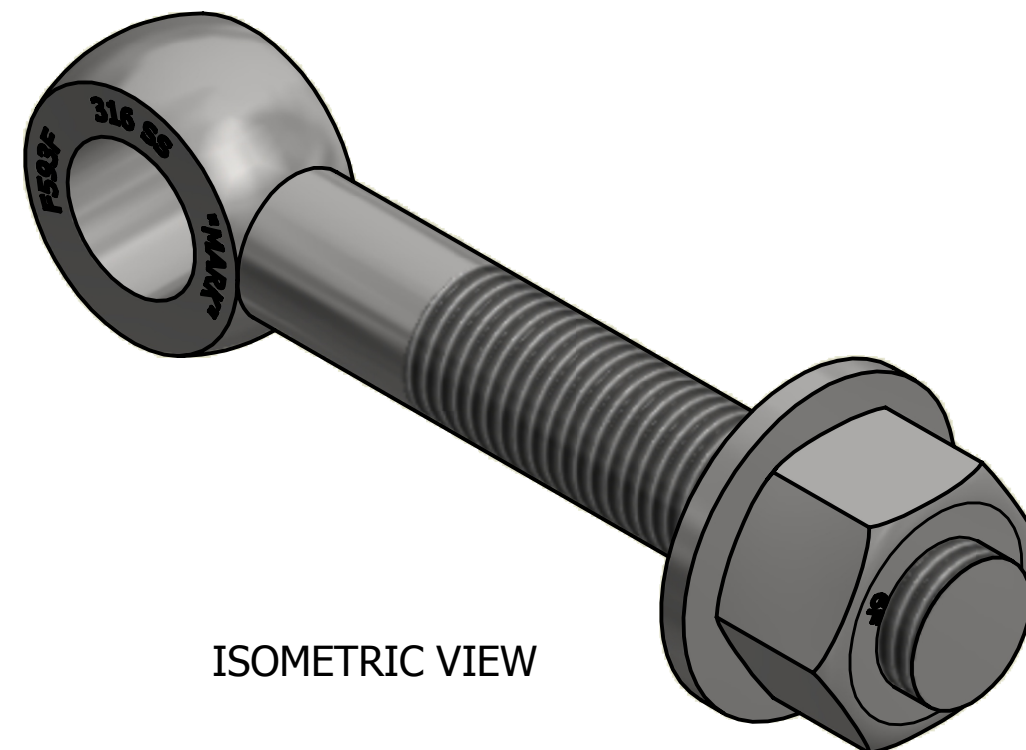
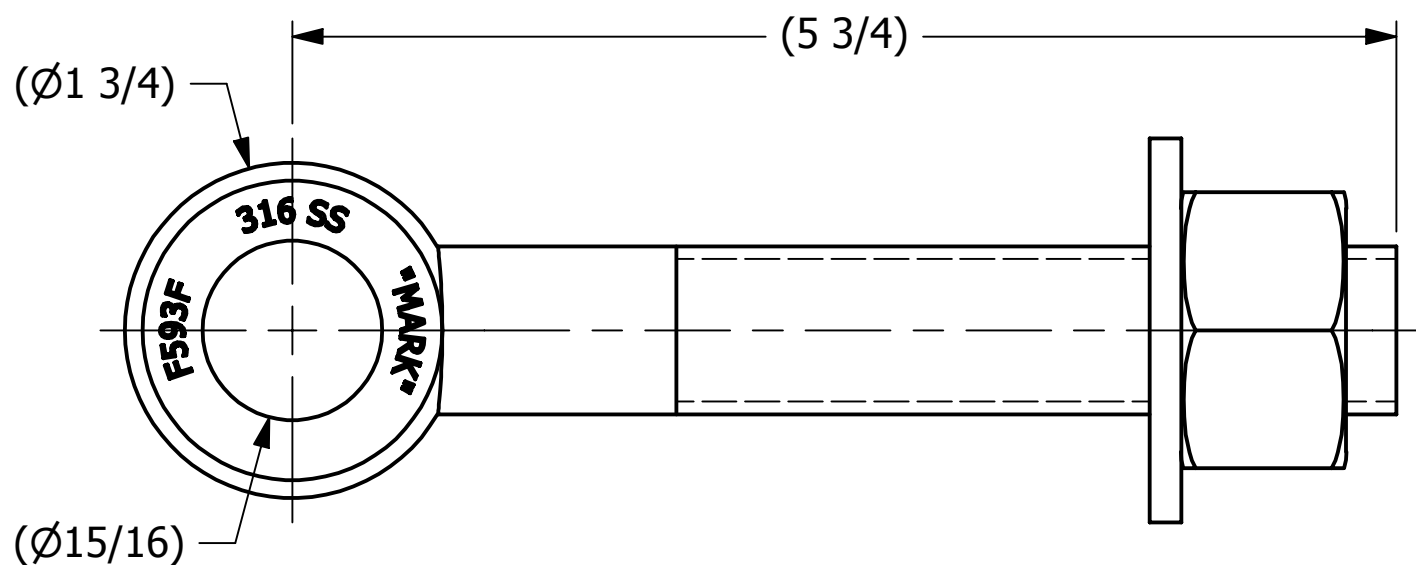
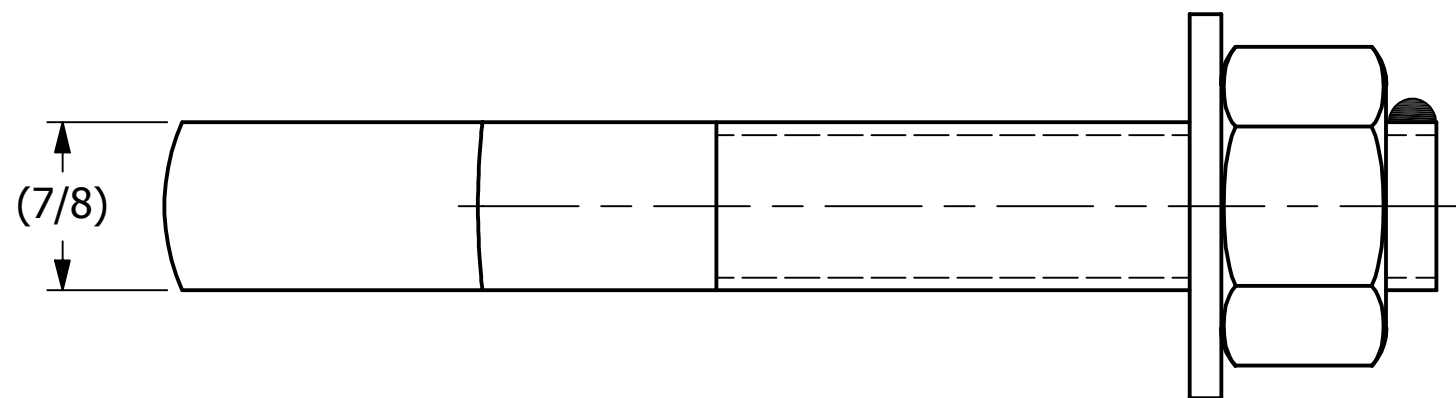
B

A

A

SALES DRAWING

SALES DRAWING



ISOMETRIC VIEW

A	RJP	6-30-16	RELEASED FOR PRODUCTION
REV	BY	DATE	DESCRIPTION

<small>UNLESS OTHERWISE SPECIFIED DIMENSIONAL TOLERANCES</small> FRACTIONAL: ±1/16 X.XX: ±.03 X.XXX: ±.015 ANGULAR: ±1° <small>DEBURR ALL SHARP EDGES. ALL MACHINED SURFACES TO HAVE A 125 RMS FINISH UNLESS NOTED OTHERWISE.</small> <small>THIRD ANGLE PROJECTION</small> 	DRAWN BY:	RJP
	CHECKED BY:	JRO
	PROTOTYPE BY:	RJP
	PROTOTYPE DATE:	6/28/2016
	APPROVED FOR PRODUCTION BY:	EJF
	PRODUCTION DATE:	6/30/2016

PART NAME: <b>EYEBOLT ASSEMBLY 7/8"X5 3/4"</b>		
MATERIAL: <b>STAINLESS STEEL</b>		
PROJECT #:	R160627F	SHEET #: 1 OF 1
SCALE:	1:1	
DRAWING #:	<b>B43912</b>	PART #:
	<b>EB78534XAS6</b>	

THIS PRINT, PROPERTY OF SALCO PRODUCTS INC., CONTAINS PROPRIETARY INFORMATION AND MUST NOT BE COPIED, REPRODUCED, OR USED DETRIMENTALLY TO OUR INTEREST.

4

3

2

1

A